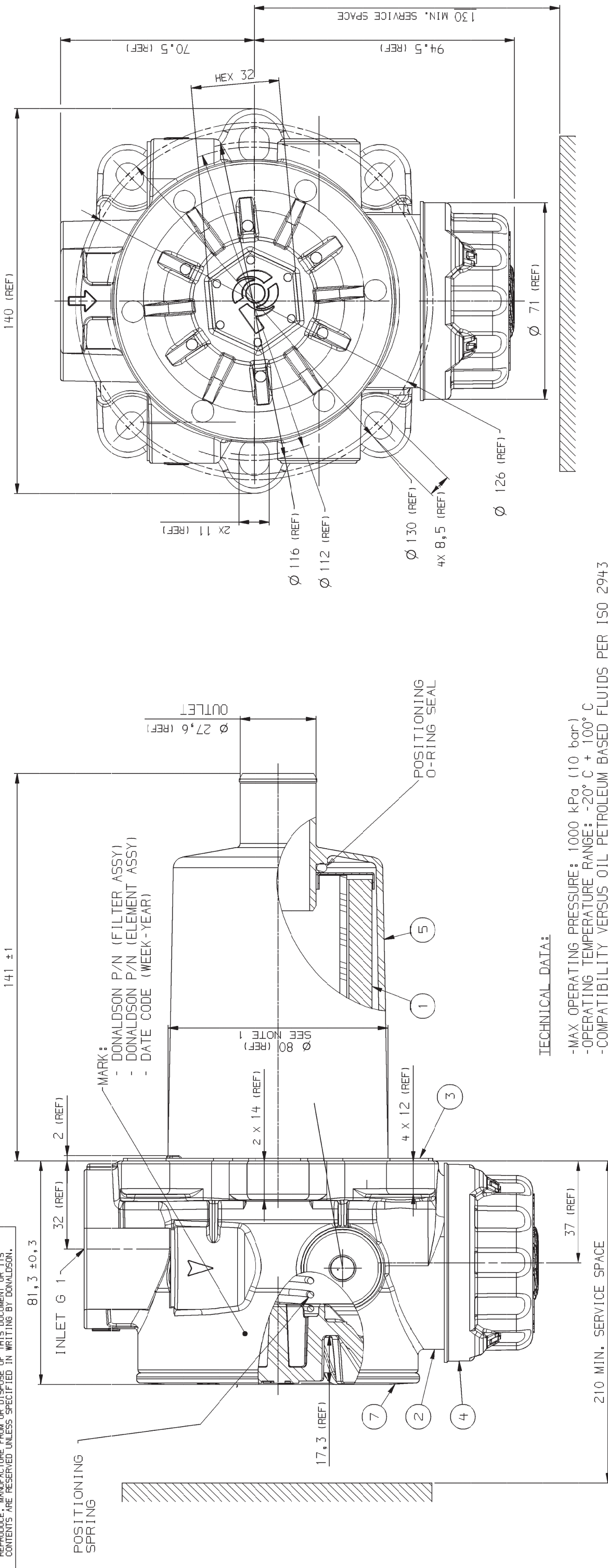


THIS DOCUMENT CONTAINS INFORMATION THAT IS CONFIDENTIAL AND/OR PROPRIETARY TO DONALDSON COMPANY, INC. ALL RIGHTS TO DISCLOSE, COPY, REPRODUCE, MANUFACTURE FROM OR DISPOSE OF THIS DOCUMENT OR ITS CONTENTS ARE RESERVED UNLESS SPECIFIED IN WRITING BY DONALDSON.

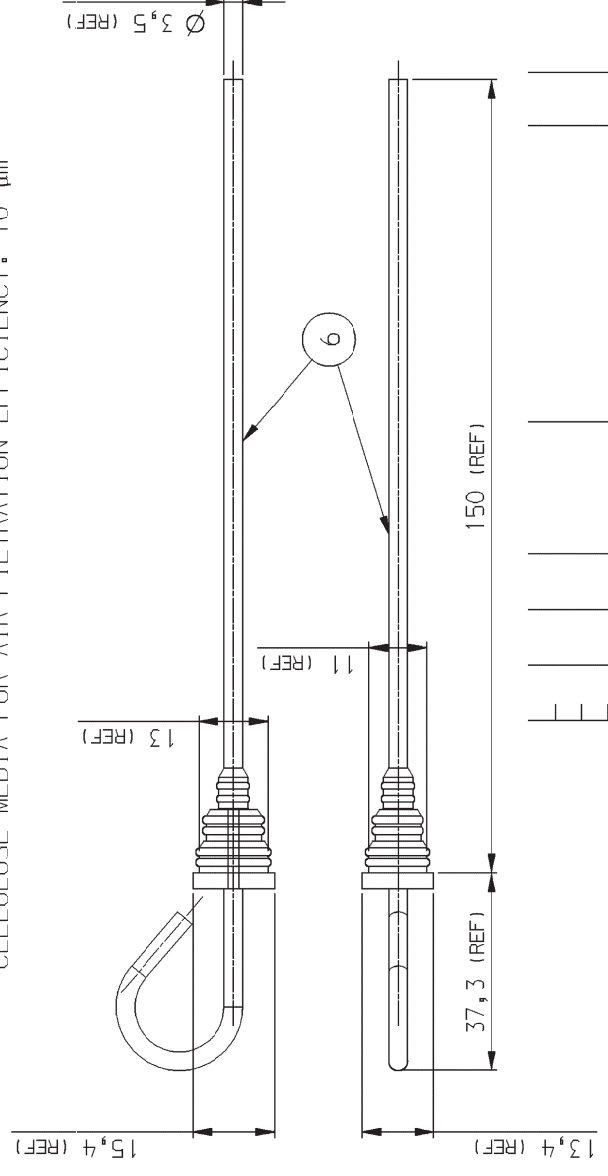
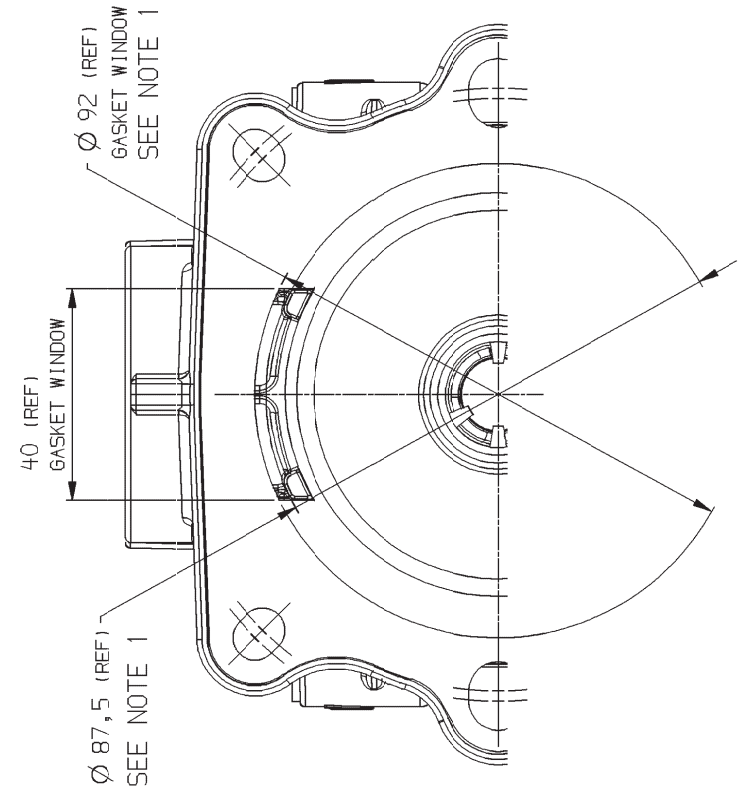


TECHNICAL DATA:

- MAX OPERATING PRESSURE: 1000 kPa (10 bar)
- OPERATING TEMPERATURE RANGE: -20° C + 100° C
- COMPATIBILITY VERSUS OIL PETROLEUM BASED FLUIDS PER ISO 2943
- FLOW RATE: 60 l/min
- FILTRATION EFFICIENCY PER ISO 16889:
 - $\beta_9 \mu_{eq} \geq 200$
 - $\beta_{11} \mu_{eq} \geq 1000$
- BY-PASS VALVE SETTING 150 kPa (1.5 bar) PER ISO 3968
- BREATHER DOUBLE MEDIA: T.R.A.P.™ MOISTURE REMOVAL MEDIA
- CELLULOSE MEDIA FOR AIR FILTRATION EFFICIENCY: 10 μ m

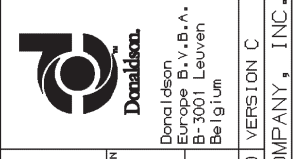
NOTES:

1. TO FORESEE HOLE DIAMETER ON TOP OF THE TANK TO BE $\varnothing 90 (+0/-2)$ MM
2. TO MAINTAIN THE FILTER OUTLET ($\varnothing 27.6$) WELL BELOW THE OIL LEVEL TO AVOID FOAM FORMATION
3. "G" (G/BSP BRITISH STD CILINDRICAL GAS THD) ACCORDING TO ISO 228/1
- "M" (ISO METRIC THD) ACCORDING TO UNI 4534 - UNI 5545



ITEM	QTY	PART NO.	DESCRIPTION
1	1	P171531	HYDR. ELEMENT ASSY
2	1	P766343	BODY, MACHINING (G1)
3	1	P766527	FLAT GASKET
4	1	P766530	BREATHER, ASSY
5	1	P766545	HOUSING ASSY
6	1	P766552	DIP STICK ARM ASSY
7	1	P766546	COVER, ASSY

DENOTES SIGNIFICANT CHARACTERISTICS		[CTO] DENOTES CRITICAL TO QUALITY, REF: EN0239211		NX / CADD	
RELEASE NR	201601043	TITLE	HYDRAULIC FILTER ASSY		
REL. DATE	OCT 21, 2015	PROJECT NR	APD21043	NUMBER	0
EXP. NR		DR. / PP	OCT 20, 2015	SCALE	1/1 SHEET: 1 OF 1
CHK. / JK	OCT 20, 2015	DESIGN / AS	OCT 20, 2015	SECTIONAL SIZE	X OUTLINE SIZE N / A2
APP. /		DESIGN CONTROL	CO02	DRWG LOCATION	C000
		VERSION C			



COPYRIGHT © DONALDSON COMPANY, INC.